

---

TECHNICAL DATA SHEET

# **MHT-X 790**

**Manitou Heavy Telescopic**

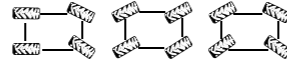
---



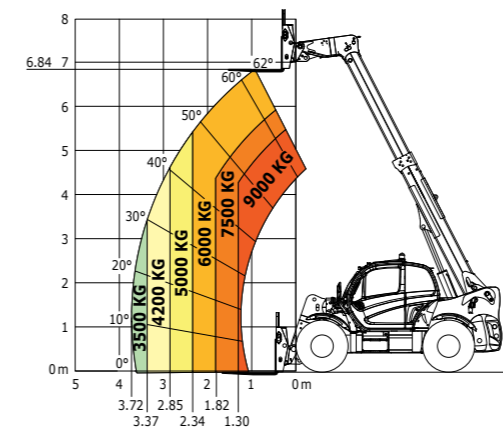
# MHT-X 790

# MHT-X 790

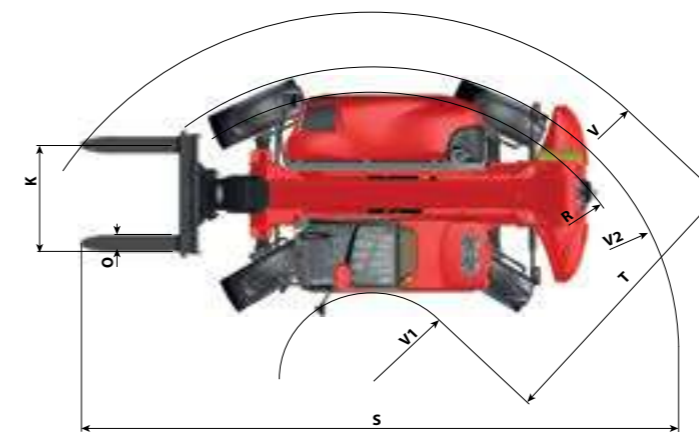
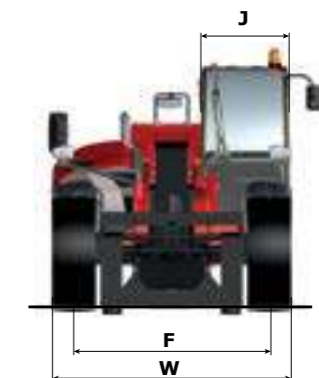
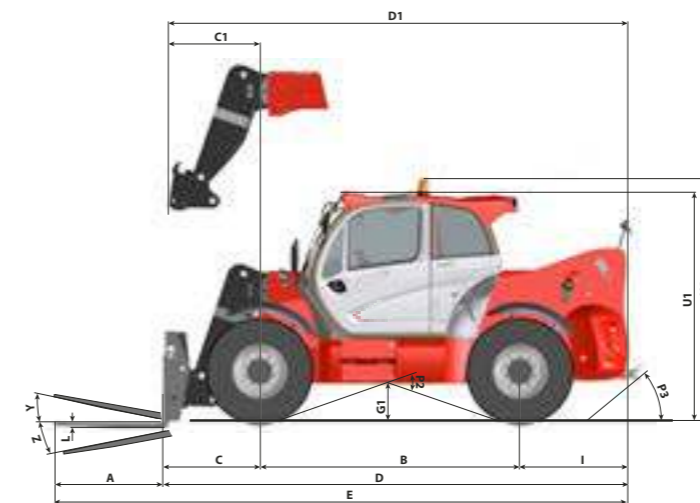
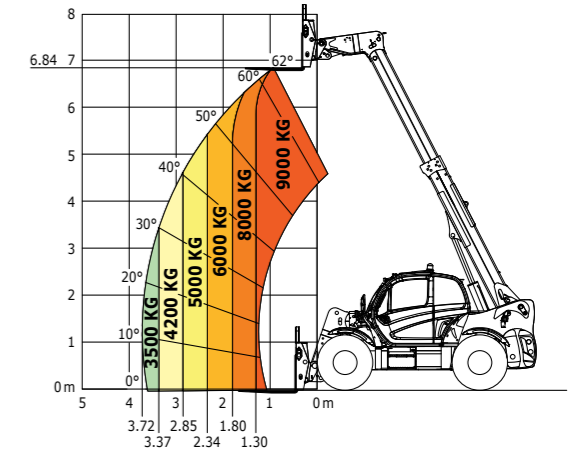
Machine on tyres with forks  
CDG 600 mm

MHT-X 790	
<b>Lifting</b>	
Max. capacity at 600 mm LC	9 000 kg
Max. lifting height	6.84 m
Max. outreach	3.72 m
<b>Unladen time</b>	
Lifting	9.2 s
Lowering	7.8 s
Extension	6.6 s
Retraction	6.1 s
<b>Tyres</b>	445/65 R22.5
<b>Braking</b>	
Service brake	Multiple-disc brake with oil bath on front and rear axles
Parking brake	Automatic negative parking brake
<b>Engine</b>	
Type	4045 PWX
Displacement	4.5 l
Power	137 HP / 102 kW
Max. torque	545 Nm / 1500 rpm
Injection	Direct
Laden drawbar pull	10905 daN
Gradeability (laden)	48%
<b>Transmission</b>	
Reversing shift	electrohydraulic control
Number of gears (forward/reverse)	2/2
Max. travel speed (may vary according to applicable regulations)	30 kph
Axle	DANA
Steering mode	4 Wheel Steer - 3 steering modes 
<b>Controls</b>	
	JSM® Joystick multi-function - Load limiter cut off system - EN 15000 Norm
<b>Hydraulics</b>	
Load Sensing Pump	Axial piston variable displacement pump (LS) 180 l/min - 270 bar
<b>Capacities</b>	
Hydraulic oil	151 l
Fuel	150 l
<b>Unladen weight (with forks)</b>	13 020 kg
<b>Dimensions</b>	
Overall length to carriage	5.27 m
Ground clearance	0.41 m
Overall width	2.47 m
Overall height	2.48 m
Standard forks (length x width x thickness)	1200 x 200 x 60 mm
Turning radius over tyres (V2)	4.88 m
Carriage Rotation (crowd / dump)	137°
<b>Noise and vibration</b>	
Noise at driving position (LpA)	79.7 dB
Environmental noise (LwA)	103 dB
Vibration to whole hand/arm	<2.5 m/s²

Rough terrain load chart  
EN 1459 Annexe B



Industrial load chart  
EN 1459 Annexe A



mm	MHT-X 790
A	1200
B	2870
C	1128
C1	997
D	5273
D1	5142
E	6473
F	2020
G1	409
I	1275
J	884
L	60
O	200
P2	38°
P3	26°
R	4801
S	8647
T	3481
U1	2478
U2	2657
V	5592
V1	2110
V2	4884
W	2473
Y	12°
Z	125°

This brochure describes versions and configuration options for Manitou products which may be fitted with different equipment. The equipment described in this brochure may be standard, optional or not available depending on version. Manitou reserves the right to change the specifications shown and described at any time and without prior warning. The manufacturer is not liable for the specifications given. For more information, contact your Manitou dealer. Non-contractual document. Product descriptions may differ from actual products. List of specifications is not comprehensive. The logos and visual identity of the company are the property of Manitou and may not be used without authorisation. All rights reserved. The photos and diagrams contained in this brochure are provided for information only.



Your MANITOU dealer



Head office:

B.P. 249 - 430 rue de l'Aubinière - 44158 Ancenis Cedex - France

Phone.: +33 (0)2 40 09 10 11 - Fax: +33 (0)2 40 09 10 97

[www.manitou.com](http://www.manitou.com)

