

Technical sheet :

# 1350RT

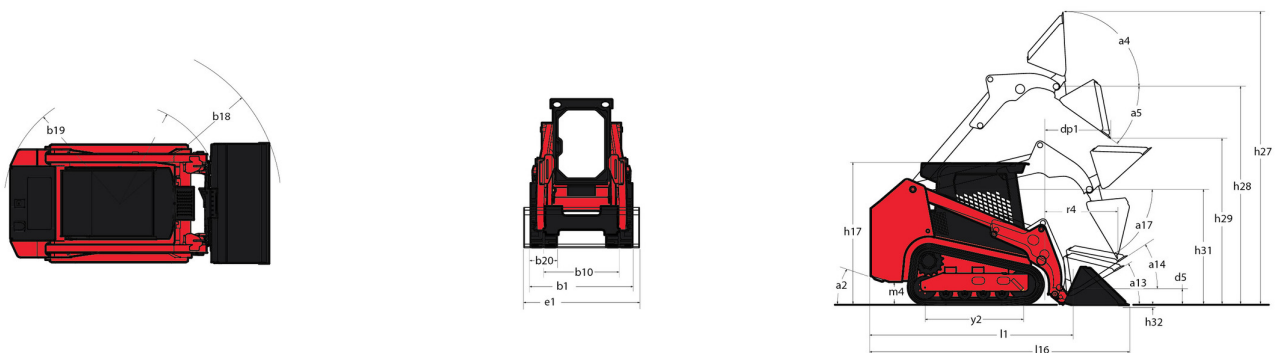
---



 **MANITOU**  
HANDLING YOUR WORLD

Capacities		Imperial
Operating Weight		6510 lb
Unladen weight		6510 lb
Operating Capacity at 35% Tipping Load		1349 lb
Operating Capacity At 50% Tipping Load		1929 lb
Tipping capacity		3858 lb
Weight and dimensions		
Overall Operating Height - Fully Raised	h27	144 in
Height to Hinge Pin - Fully Raised	h28	110 in
Dump reach - Full height	r6	23 in
Dump angle at full height	a5	40 °
Dump Height - Fully Raised	h29	84 in
Maximum Rollback Angle - Fully Raised	a4	98 °
Overall Height to top of ROPS	h17	76 in
Overall length with bucket	l16	121 in
Overall Length without Bucket	l1	93 in
Specified Height	h31	59 in
Reach at Specified Height	r4	30 in
Dump angle at specified height	a17	75 °
Carry Position	d5	6 in
Maximum Rollback Angle at Carry Position	a14	28 °
Digging Position	h32	0.71 in
Angle of Departure with STD Counterweight		28 °
Ground clearance	m4	8 in
Track gauge	b10	45 in
Track Shoe Width	b20	12 in
Crawler base	y2	46 in
Overall width less bucket	b1	57 in
Bucket Width	e1	60 in
Clearance Radius - Front with Bucket	b18	76 in
Track Type / Track Rollers / Roller Type		Rubber / 4 / Steel
Performances		
Ground Speed - Single Speed		6 mph
Drawbar Pull/Ttractive Effort		7161 lb
Bucket Breakout - Tilt Cylinder		3501 lb
Bucket Breakout - Lift Cylinder		3730 lb
Engine		
Engine brand		Yanmar
Engine model		4TNV88C-KMSV
Motor Type		Radial Piston
Gross Power / Power		46 Hp @ 2500 rpm
Battery voltage		12 V
Cold Cranking Amps at Temperature (CCA)		800 A
Alternator - Voltage / Ampere		12 V / 100 A
Hydraulics		
Standard flow - Auxilliary hydraulics		17 US gpm
Tank capacities		
Oil Pan Capacity		2 US gal
Hydraulic tank capacity		9 US gal
Fuel tank		16 US gal
Displacement / Number of cylinders		2 US gal / 4

### 1350RT - Dimensional drawing



# Equipment

<b>Lifting function</b>	
All-Tach® Attachment Mounting System	Standard
Auxiliary Hydraulics	Standard
IdealTrax® automatic track tensioning system	Standard
<b>Lighting</b>	
Beacon	Optional
<b>Motorization/Power</b>	
Combination Radiator & Hydraulic Oil Cooler	Standard
Dual-Element Air Cleaner with Indicator	Standard
Engine Auto-Shutdown System	Optional
Engine Block Heater	Optional
Glowplugs Starts Assist	Standard
<b>Operator station</b>	
Bluetooth car radio	Optional
Foot Throttle	Standard
Full-Suspension Seat	Optional
Joystick controls	Standard
Multi-Function Display Screen	Standard
ROPS/FOPS Level II Overhead Guard	Standard
Sliding Side Windows	Optional
Swing-out Cab Door	Optional
<b>Other options</b>	
Selectable Self-Leveling Hydraulic Lift Action 4	Optional
<b>Pneumatics</b>	
Rubber Track Undercarriage System	Standard
<b>Secondary functions</b>	
Counterweight	Optional
Dedicated Undercarriage	Standard
<b>Security</b>	
4 point lift	Optional
Anti-Vandalism Protection	Standard
Back-Up Alarm	Standard
Engine Alert System with Error Display	Standard
Mechanical Lift Cylinder Lock	Standard



**Head Office**

B.P. 249 - 430 rue de l'Aubinière

44150 Ancenis Cedex - France

Tel: +33 (0)2 40 09 10 11 - Fax: +33 (0)2 40 09 10 97

[www.manitou.com](http://www.manitou.com)



This publication provides a description of the configuration versions and options for Manitou products, which may differ for equipment. The equipment presented in this brochure may be part of a series, as an option, or it may not be available, depending on the versions. Manitou reserves the right, at any time and without notice, to amend the specifications described and represented. The specifications provided do not bind the manufacturer. For more details, please contact your Manitou agent. This is not a contractually binding document. The presentation of the products is not contractually binding. List of specifications non-exhaustive. The logos as well as the visual identity of the company are owned by Manitou and cannot be used without authorisation. All rights reserved. The photos and diagrams contained in this brochure are only provided for consultation and information purposes.

MANITOU BF SA - Limited company with board of directors - Share capital: 39,668,399 euros - 857 802 508 RCS Nantes